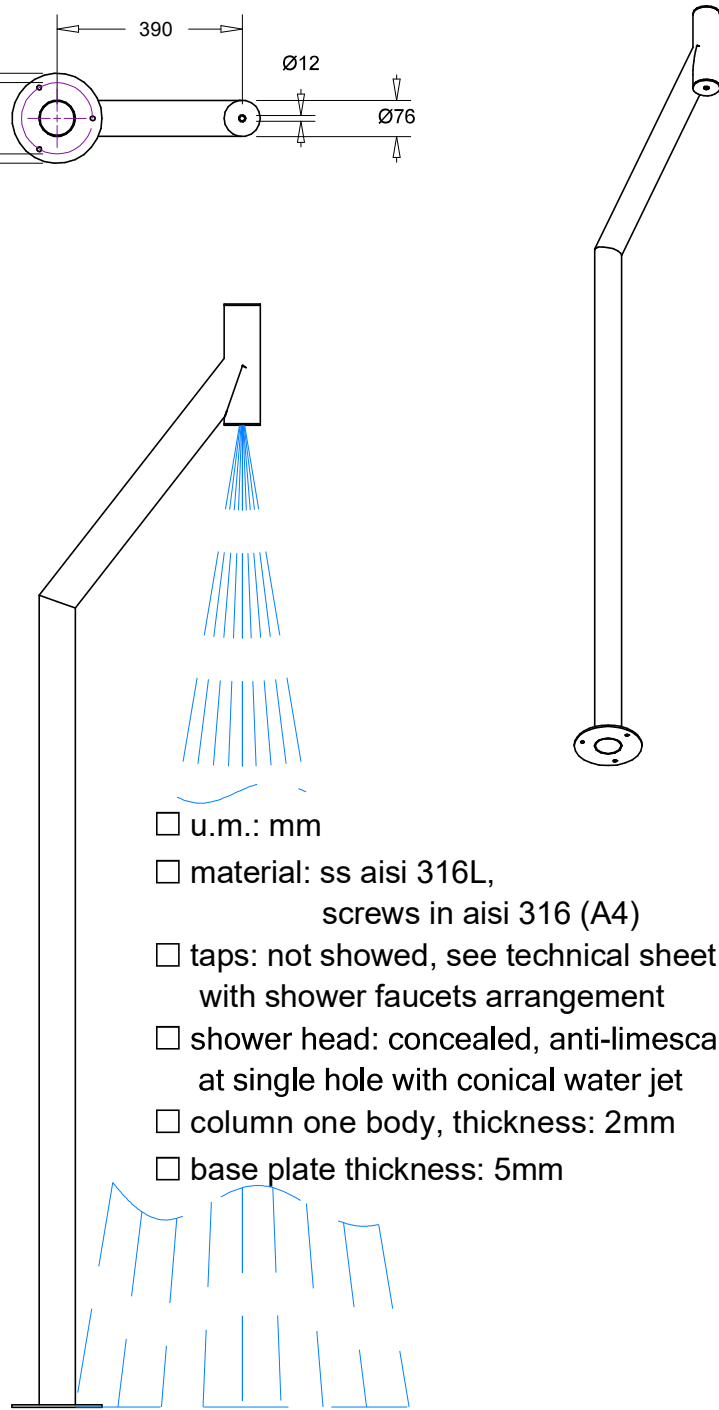
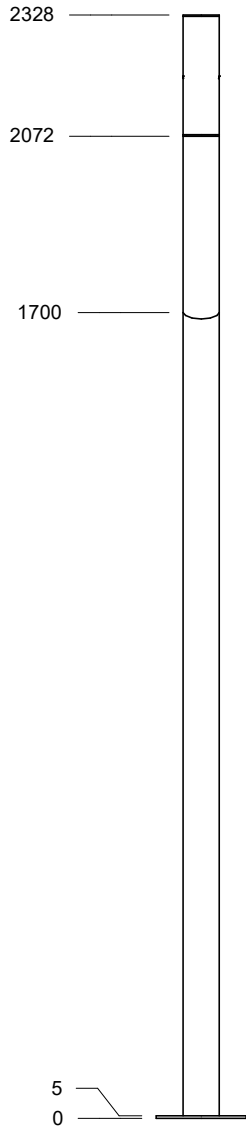
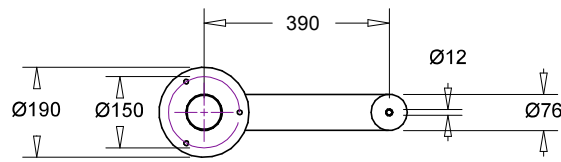


# STILO VERSO



- u.m.: mm
- material: ss aisi 316L,  
screws in aisi 316 (A4)
- taps: not showed, see technical sheet  
with shower faucets arrangement
- shower head: concealed, anti-limescale,  
at single hole with conical water jet
- column one body, thickness: 2mm
- base plate thickness: 5mm

